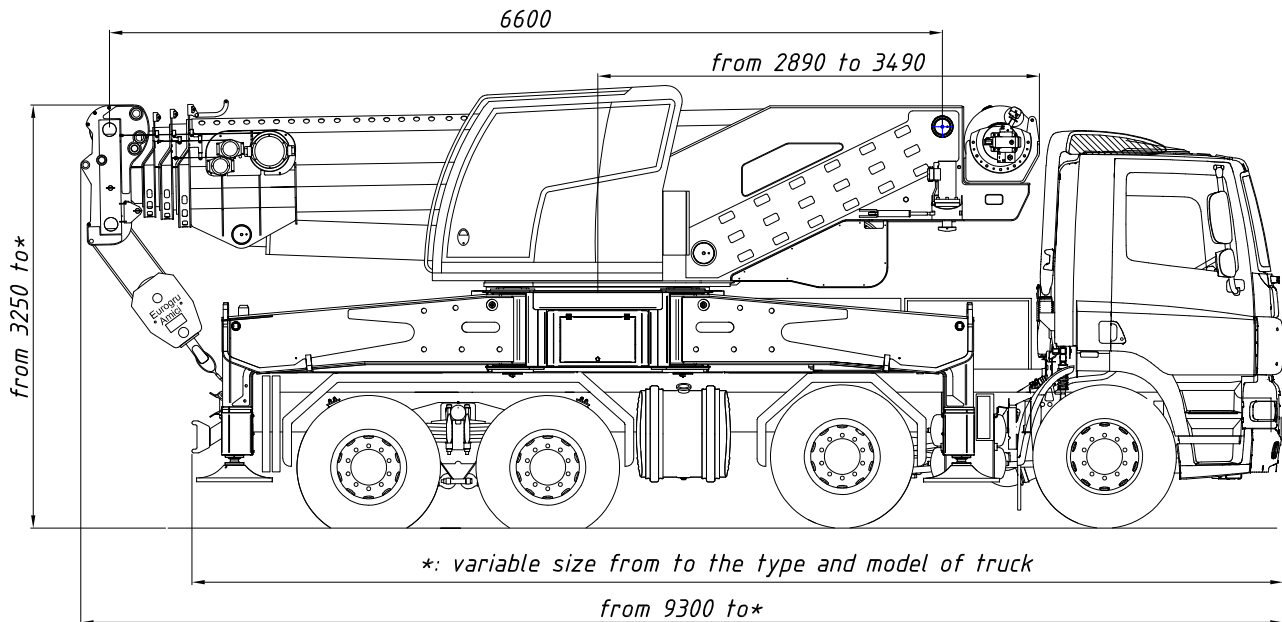


EuroGru Amici

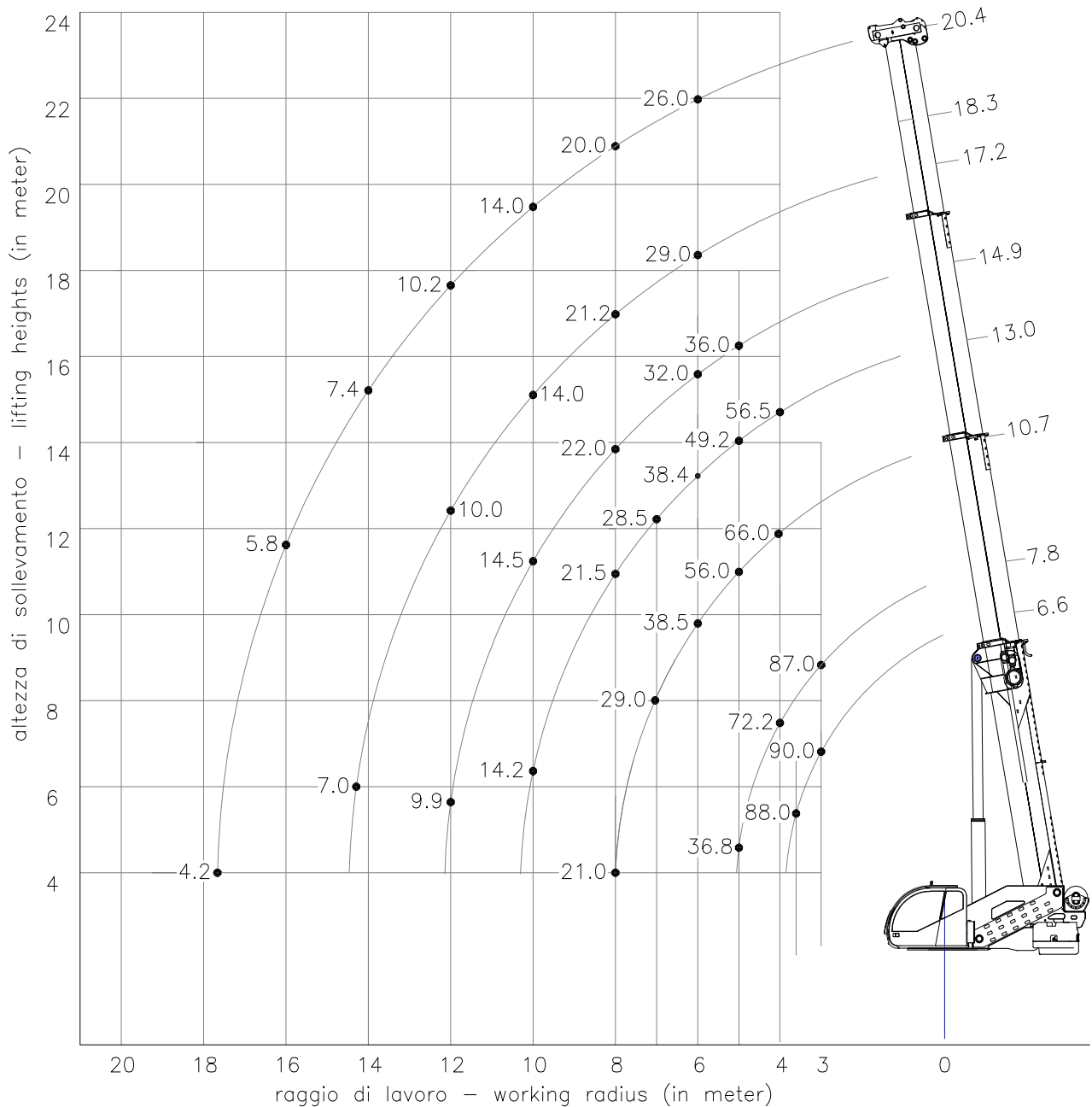
90.23



- Road Weight 32.000 Kg
- Can be installed on truck 8 x 4 axels for exceptional towing
- Maximum Capacity 90 ton
- Maximum Boom height 23 m
- Winch by 72 kN for single line with variable displacement motor
- Counterweight 5,0 ton modular and sectionable self installing at 100%
- Head Boom offsetable with hydraulic system in 4 positions
- Drive and steering in upper cabin and with radioremove control
- LMI Load Limiter Indicator of last generation with video cameras
- Indicator pressure and load outriggers in crane cab
- Can be installed the remote control with display for LMI
- Choice of many optional

EuroGru Amici

90.23



7635
6920

5.000 kg

pr EN 13001-3
DIN 15018.1
DIN 15019.2
Portate in ton
Capacity in ton