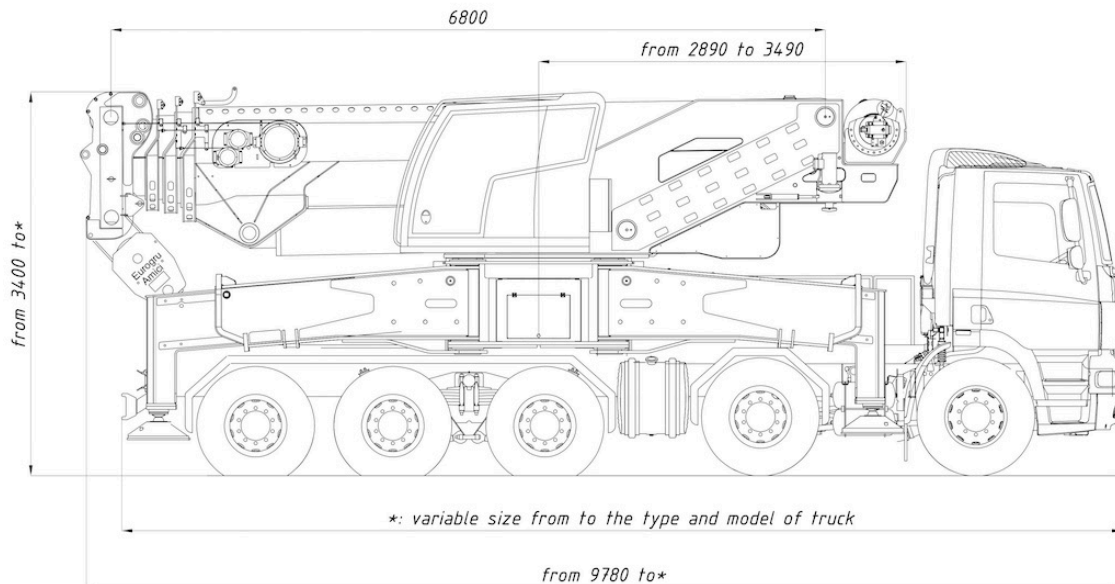
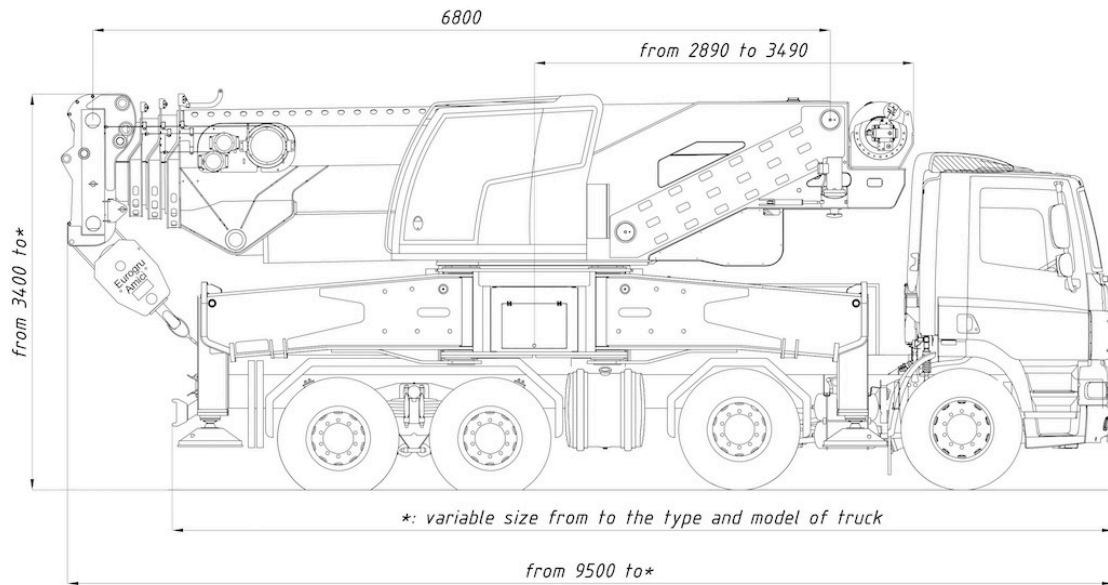
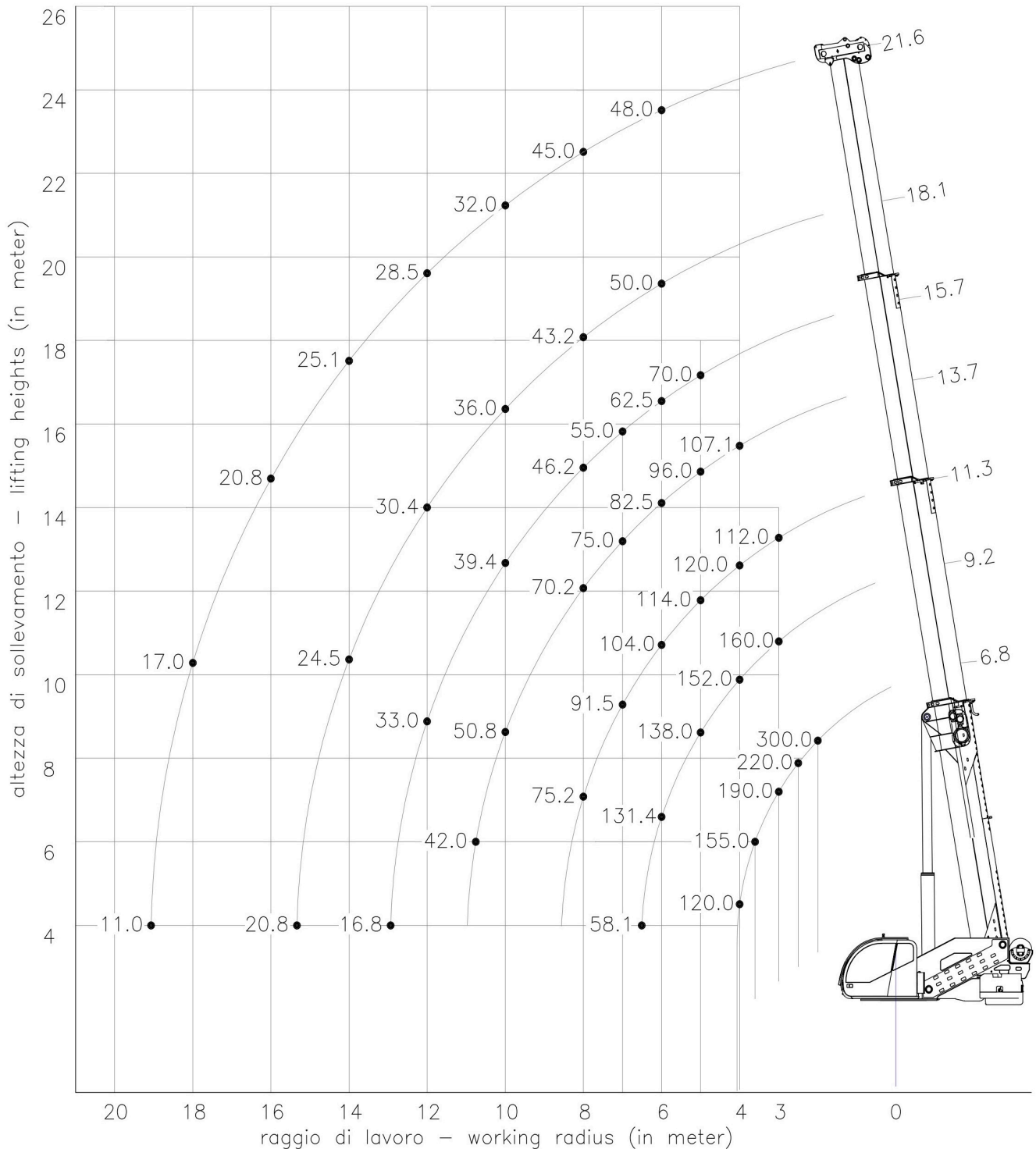


EuroGru Amici 300.24



- Road Weight 43.500 Kg (without Counterweight)
- Can be installed on truck 8 x 4 or 10 x 4 * 6 axel for exceptional towing
- Maximun Capacity 300 ton
- Maximun Boom Height 24 metri
- Winch by 118 kN for single line with variable displacement motor
- Counterweight 30,0 ton modular with self installing at 100%
- Head Boom offsetable with hydraulical system in 4 positions
- Drive and steering in upper cabin and with radioreMOTE control
- LMI Load Limiter Indicator of last generation with video cameras
- Indicator pressure and load outriggers in crane cab
- Can be installed the remote control with display for LMI
- Choice of many optional

EuroGru Amici 300.24



7635
6920

30.000 kg

pr EN 13001-3
DIN 15018.1
DIN 15019.2
Portate in ton
Capacity in ton