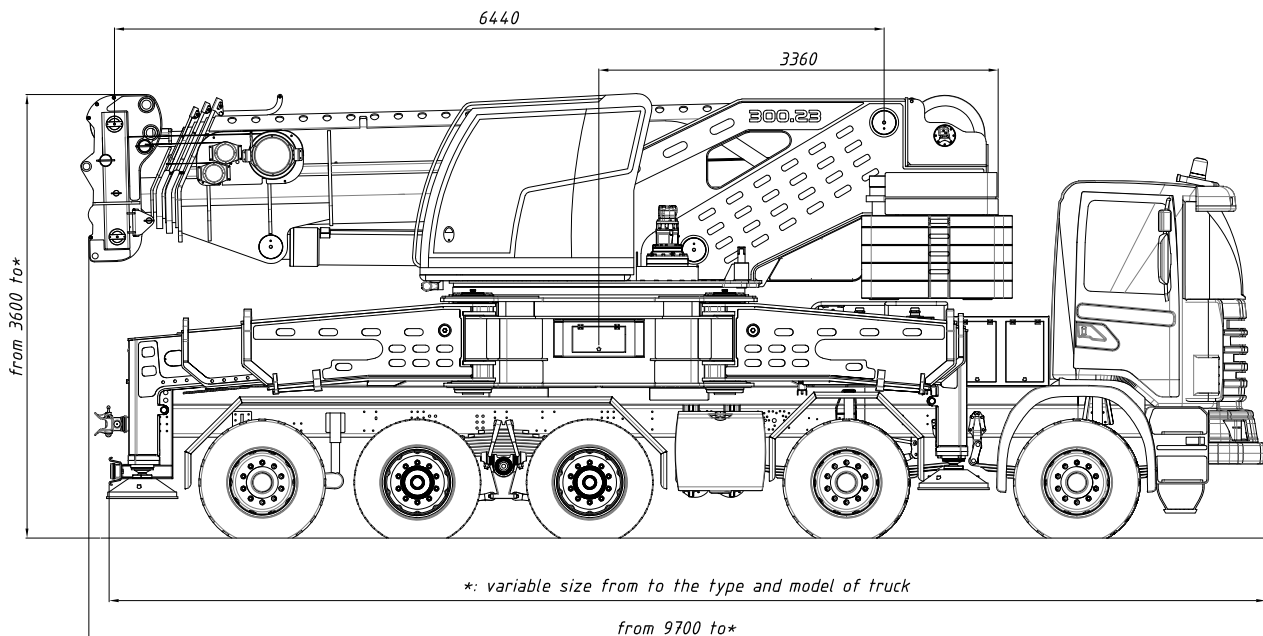
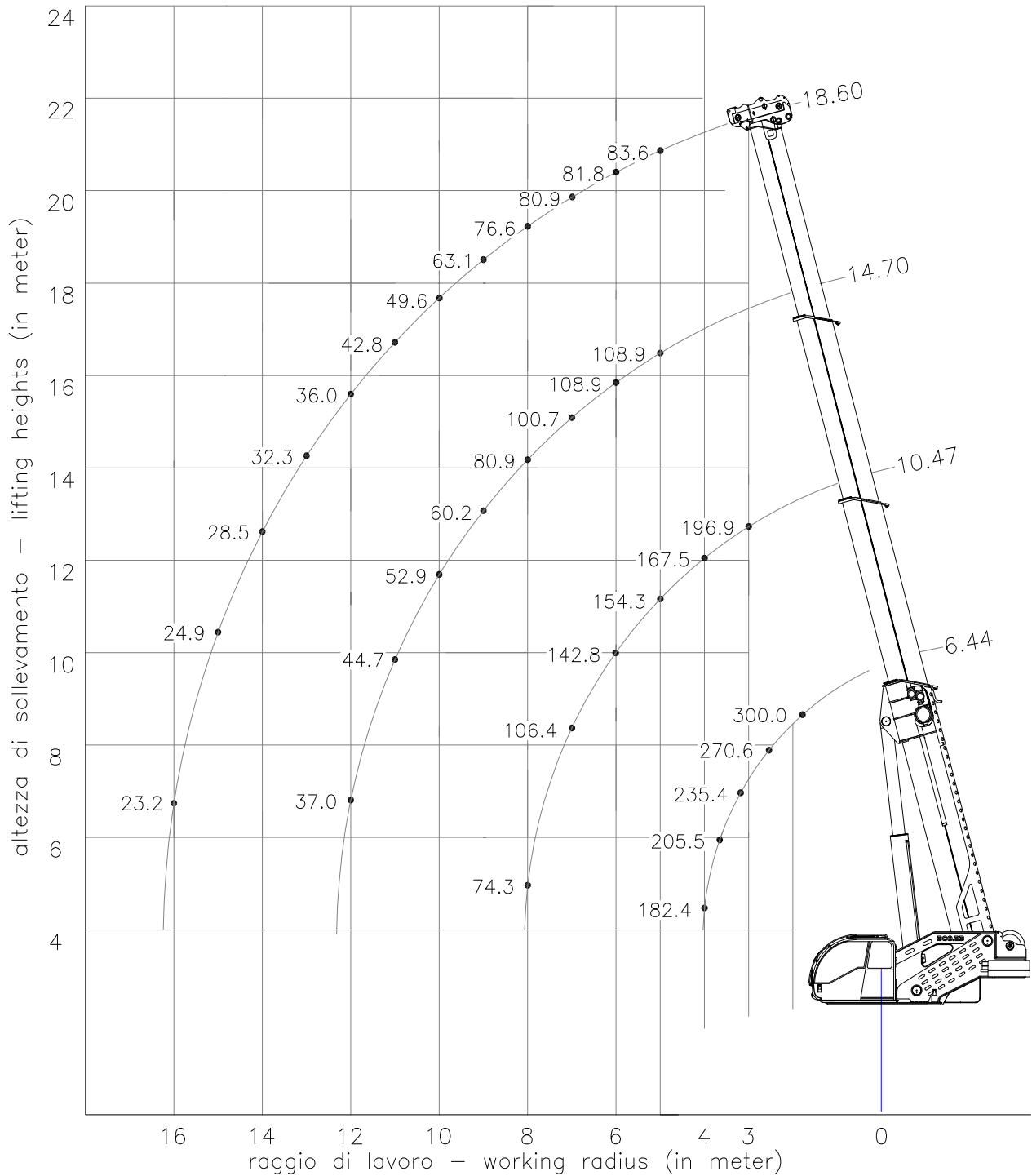


EuroGru Amici 300.23



- Road Weight 43.500 Kg (without counterweight and outriggers)
- Can be installed on truck 10 x 4 *6 axels for exceptional towing
- Maximum Capacity 300 ton
- Maximun boom height 23 m
- Winch by 118 kN for single line with variable displacement motor
- Counterweight 35,0 ton modular with self installing at 100%
- Head Boom offsetable with hydraulic system in 4 positions
- Drive and steering in upper cabin and with radioremove control
- LMI Load Limiter Indicator of last generation with video cameras
- Indicator pressure and load outriggers in crane cab
- Mounting Assembly / Disassembly Outriggers Autonomous
- Can be installed the remote control with display for LMI
- Choice of many optional

EuroGru Amici 300.23



8090
8060

35.000 kg

pr EN 13001-3
DIN 15018.1
DIN 15019.2
Portate in ton
Capacity in ton