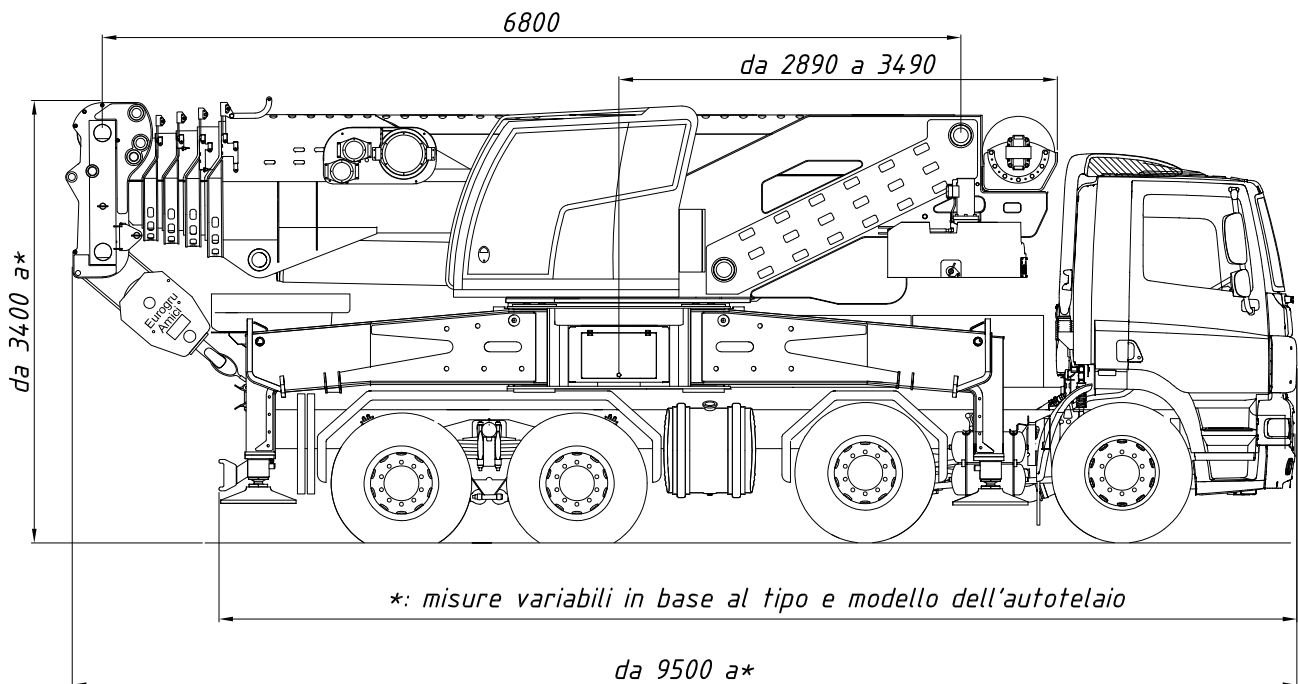
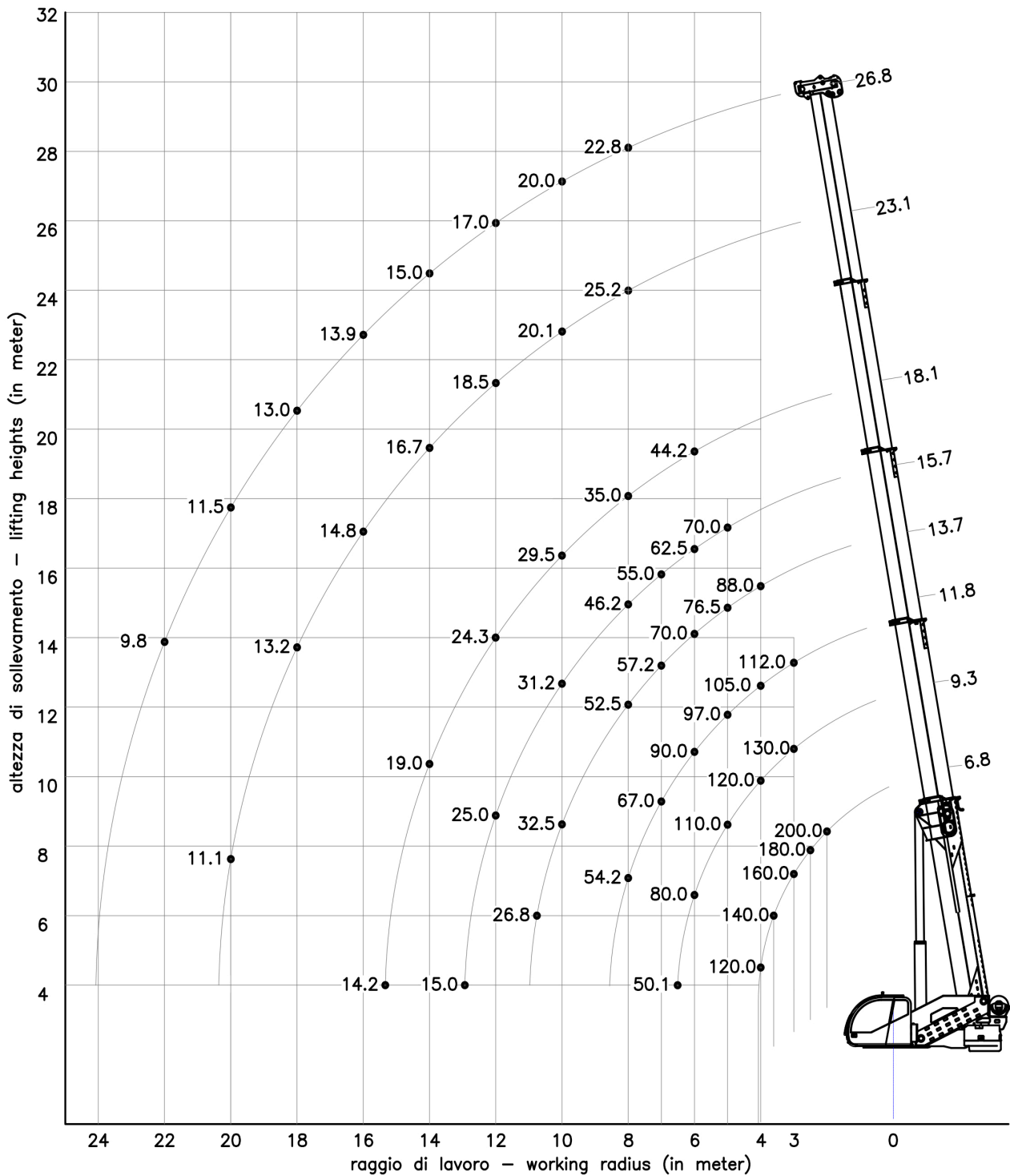


# EuroGru Amici 200.30



- Road Weight ( without counterweight ) 42.500 Kg
- Can be installed on truck 8 x 4 axels for exceptional towing
- Maximum Capacity 200 ton
- Maximum Boom height 24 m
- Winch by 72 kN for single line with variable displacement motor
- Counterweight 17.4 ton modular and sectionable self installing at 100%
- Head Boom offsetable with hydraulic system in 4 positions
- Drive and steering in upper cabin and with radioremove control
- LMI Load Limiter Indicator of last generation with video cameras
- Indicator pressure and load outriggers in crane cab
- Can be installed the remote control with display for LMI
- Choice of many optional

# EuroGru Amici 200.30



7635  
6920

17.400 kg

pr EN 13001-3  
DIN 15018.1  
DIN 15019.2  
Portate in ton  
Capacity in ton