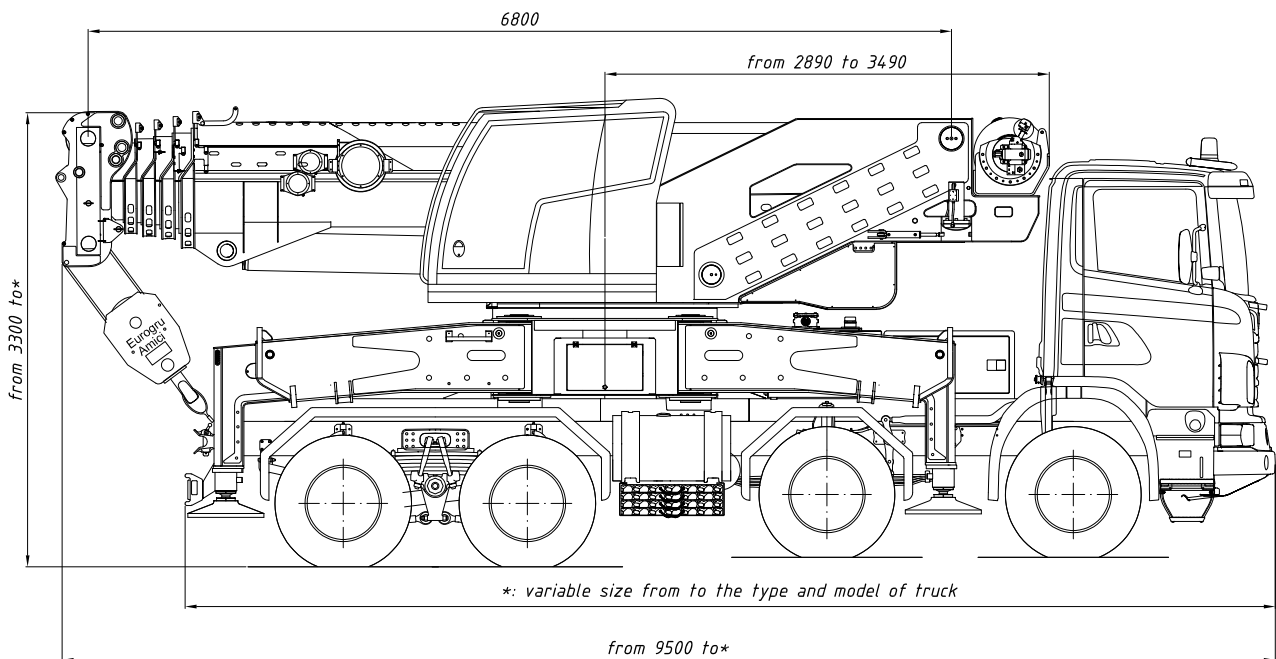
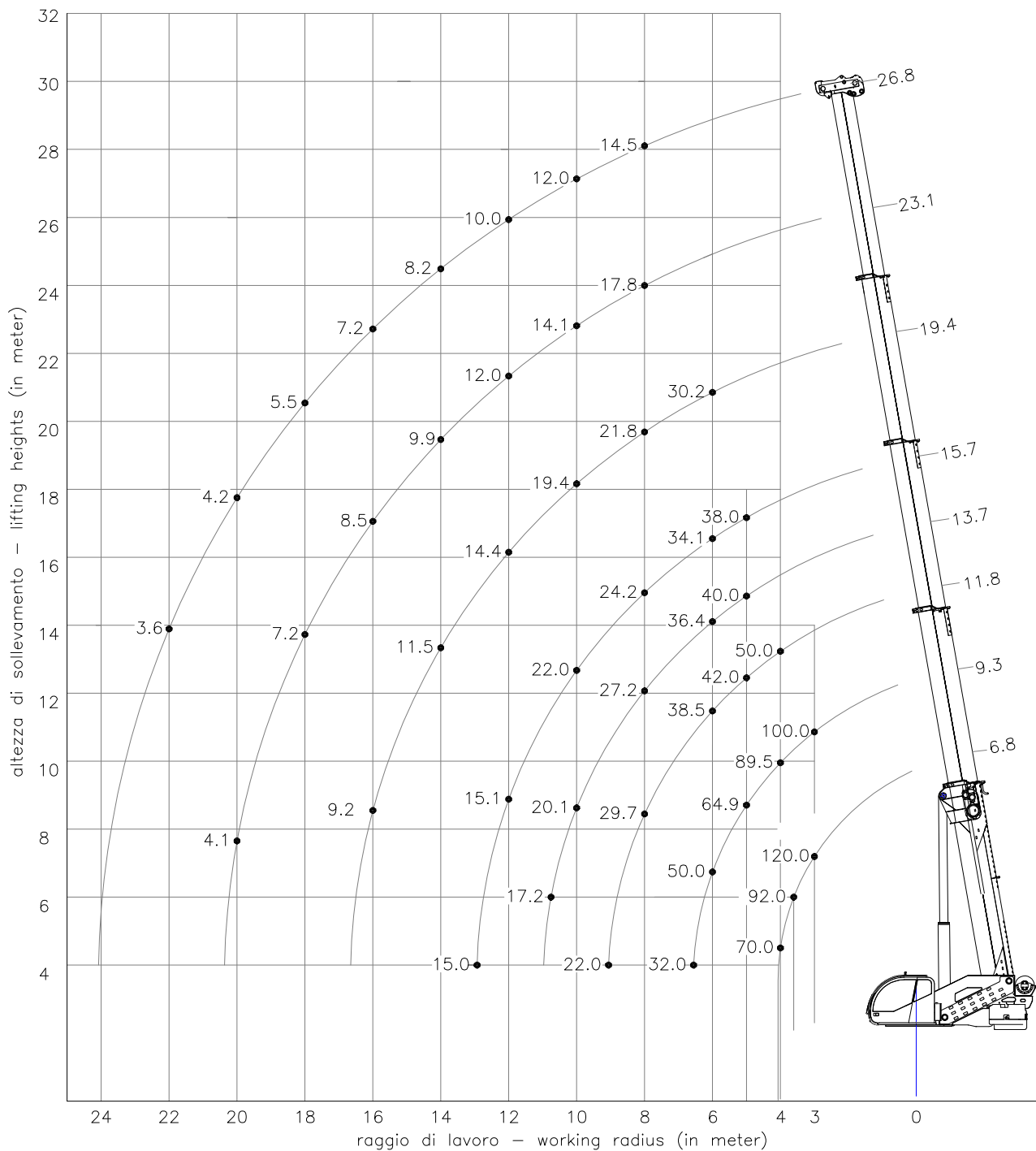


# EuroGru Amici 120.30



- Road Weight 32.000 Kg (without partial counterweight)
- Can be installed on truck 8 x 4 axels for exceptional towing
- Maximum Capacity 120 ton
- Maximum Boom height 30 m
- Winch by 72 kN for single line with variable displacement motor
- Counterweight 8,0 ton modular and sectionable self installing at 100%
- Head Boom offsetable with hydraulic system in 4 positions
- Drive and steering in upper cabin and with radioremove control
- LMI Load Limiter Indicator of last generation with video cameras
- Indicator pressure and load outriggers in crane cab
- Can be installed the remote control with display for LMI
- Choice of many optional

# EuroGru Amici 120.30



**8.000 kg**

pr EN 13001-3  
 DIN 15018.1  
 DIN 15019.2  
 Portate in ton  
 Capacity in ton